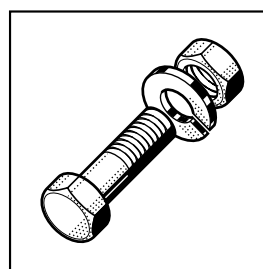
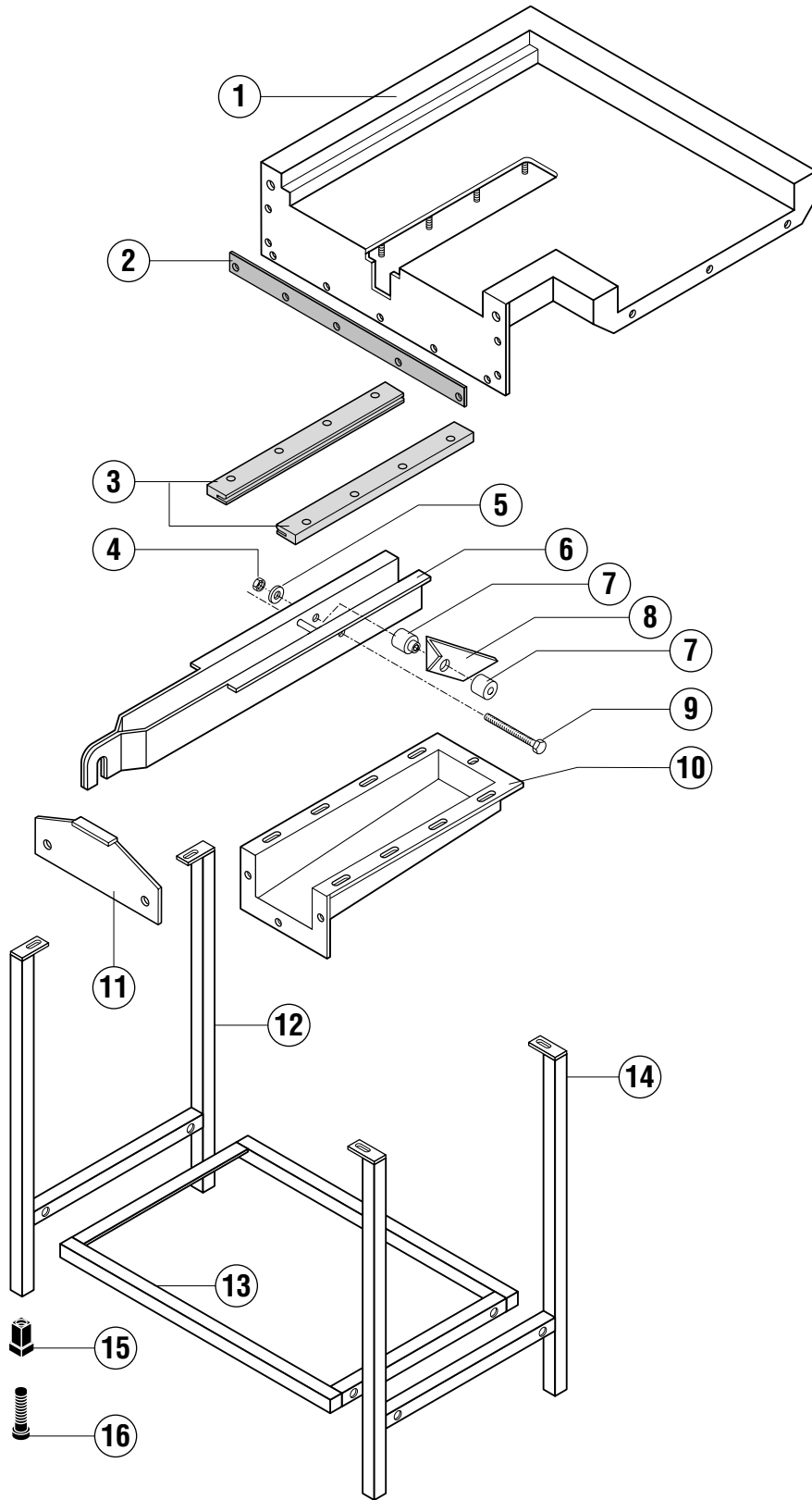


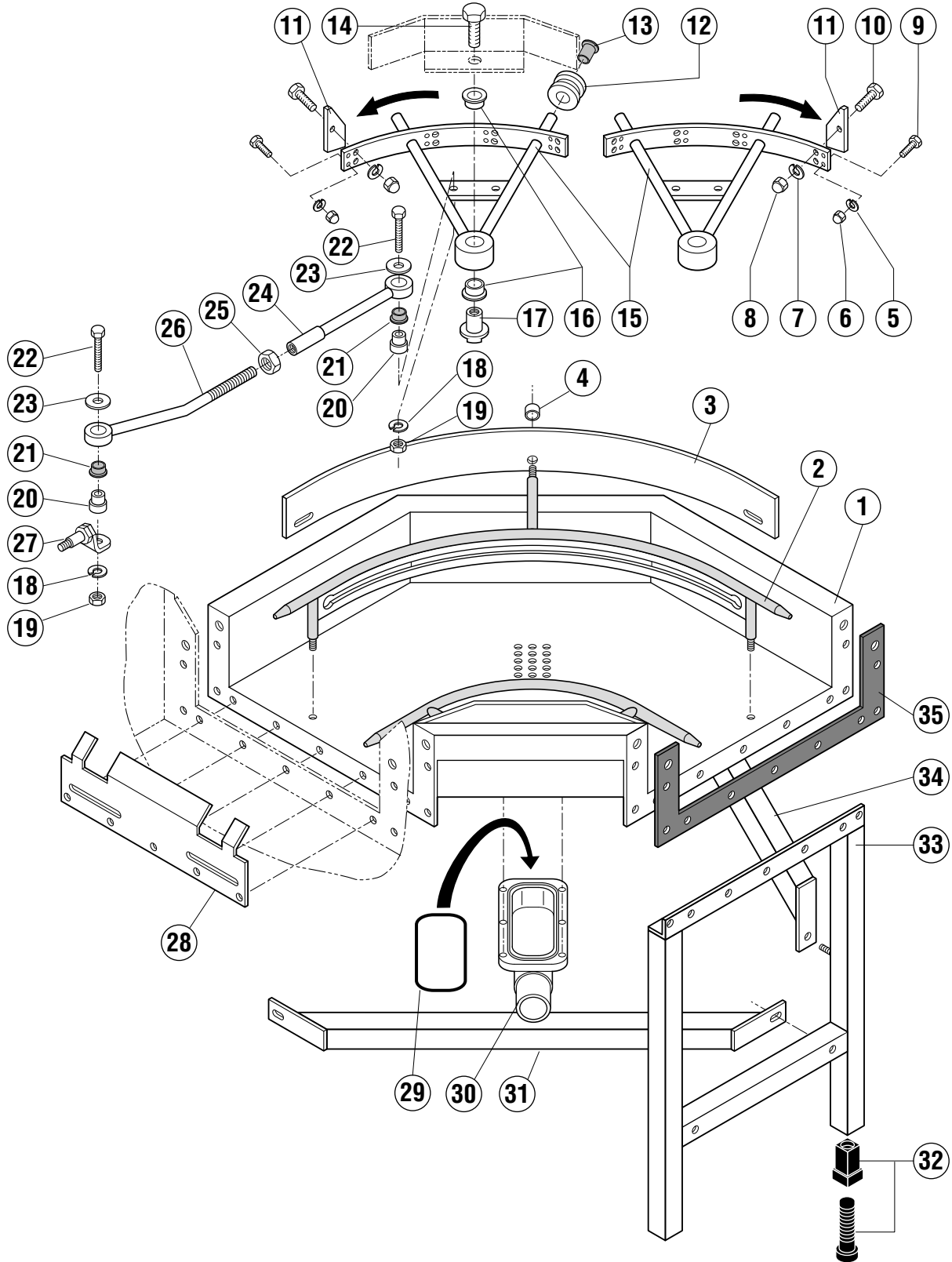
CAF
CTC 90
CTC 180

Spare Parts
Pièces Détachées
Ersatzteile
Onderdelen

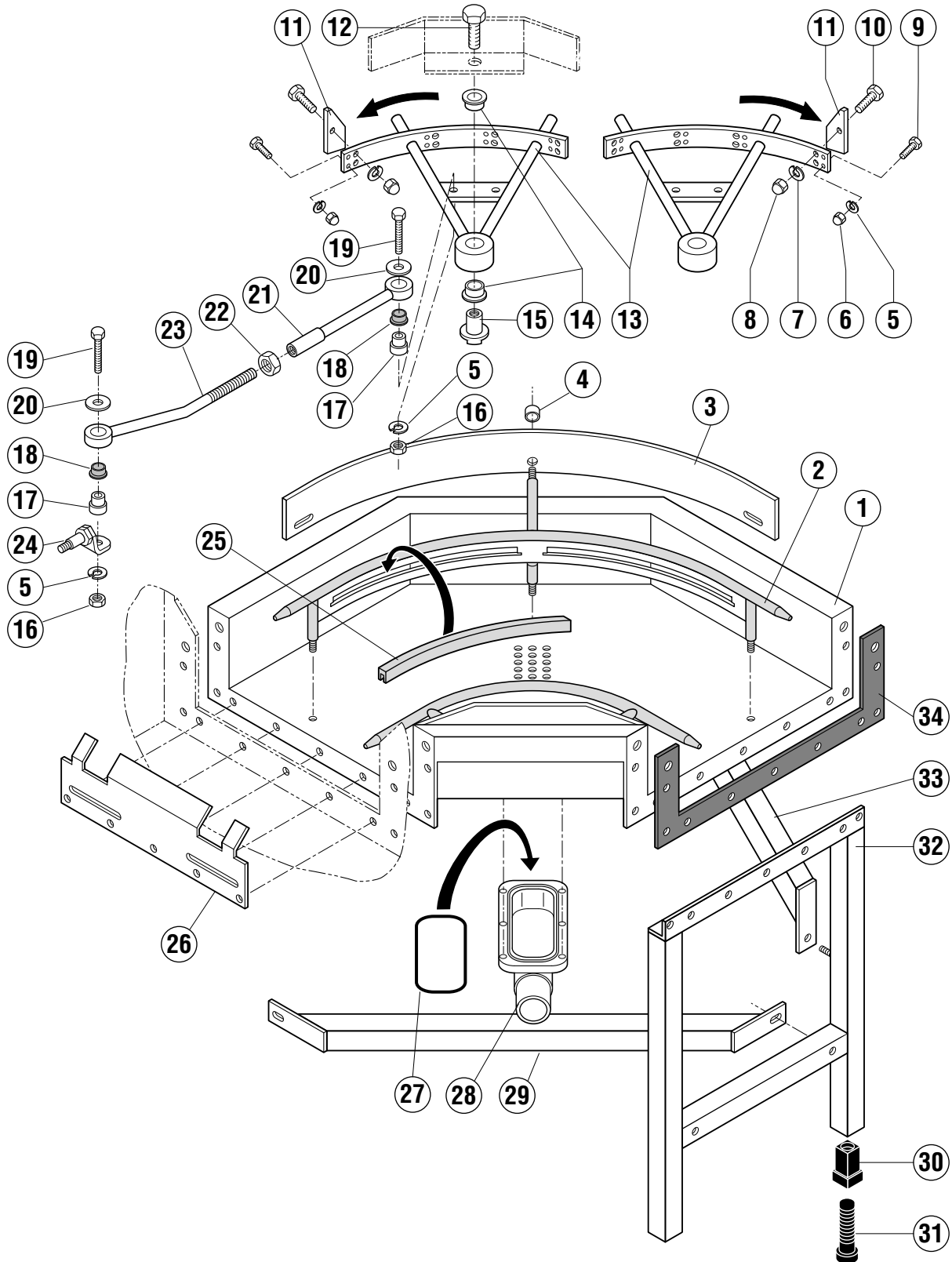




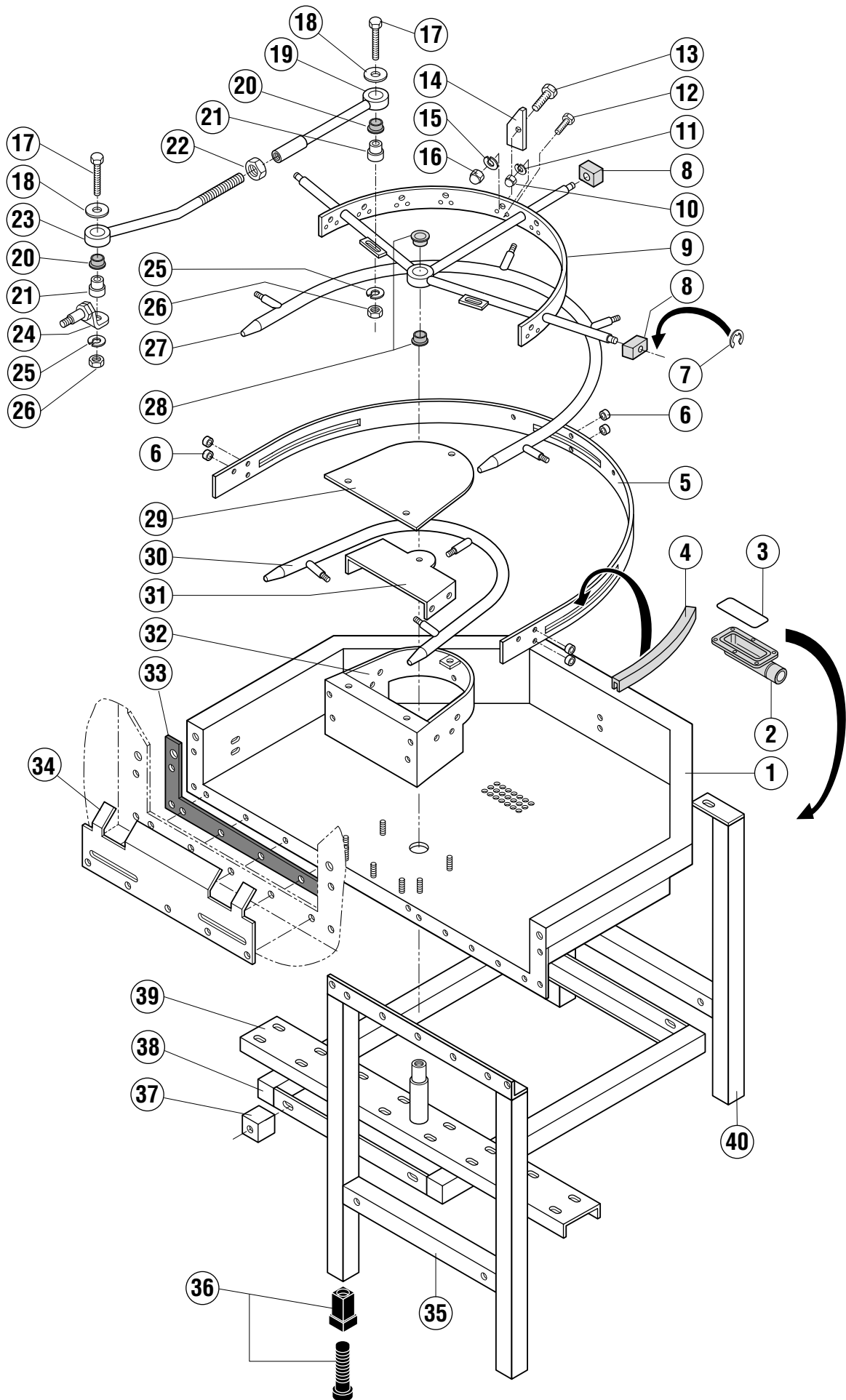
Pos.	L/R G/D	R/L D/G	Specifications / Spécifications / Angaben / Opgaven
1	734940-1	734943-1	
2	869274-1	=	
3	734945-1	=	2x
4	602502	=	M6
5	602286	=	B6
6	734942-1	=	
7	734944-1	=	2x
8	734938-1	734938-2	
9	603355	=	M6 x 55
10	734947-1	=	
11	734966-1	=	
12	869200-2	=	
13	378747-84	=	
14	869200-1	=	
15	325008-1	=	4x
16	325007-1	=	4x



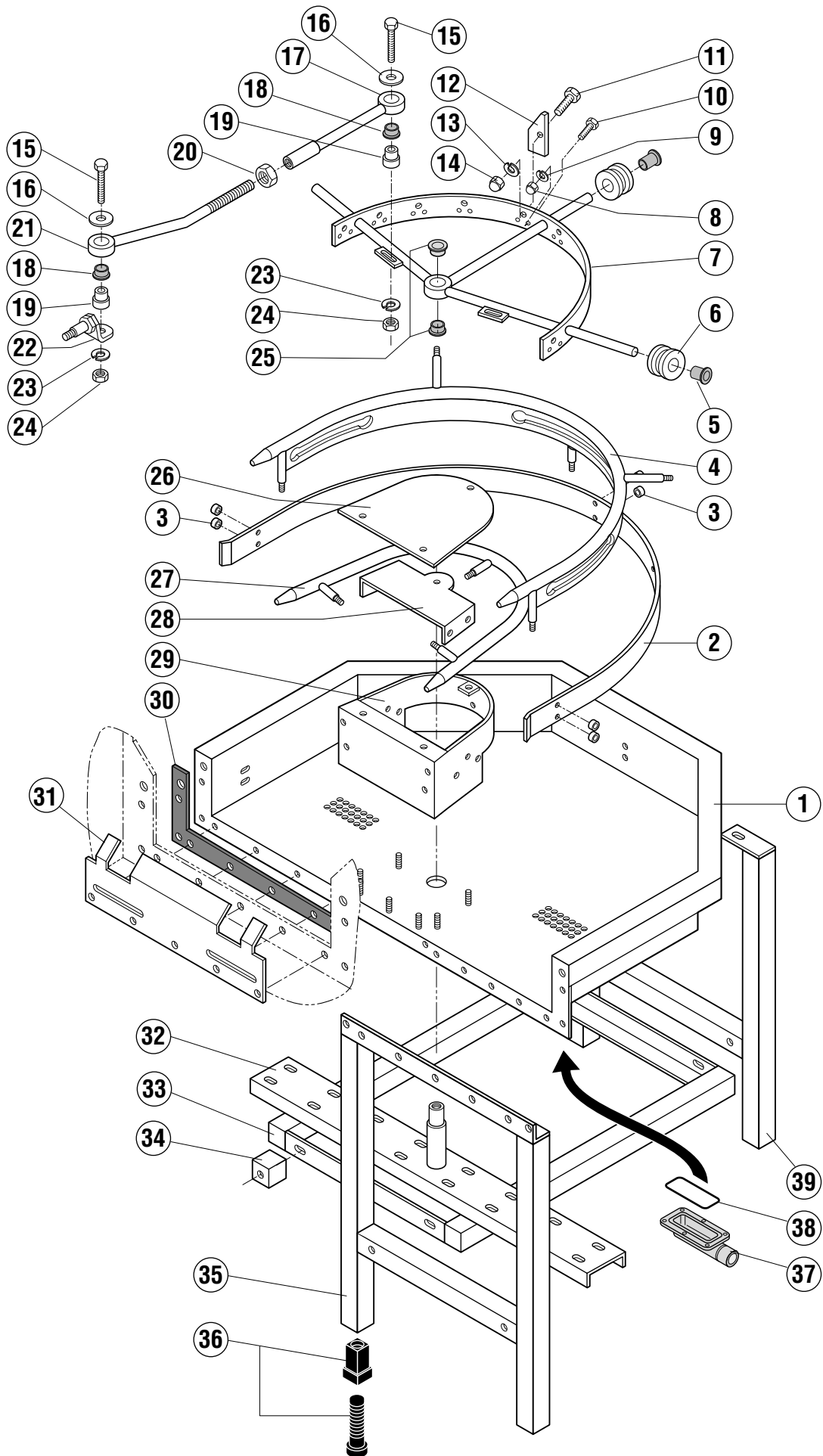
Pos.	L/R G/D	R/L D/G	Specifications / Spécifications / Angaben / Opgaven
1	734975-1	=	
2	734986-1	=	replaced by version Jan. 2000 / remplacé par version Jan. 2000 / ersetzt durch Ausführung Jan. 2000
3	866523-1	=	
4	866524-1	=	
5	602307	=	B6
6	602512	=	M6
7	602305	=	B8
8	602513	=	M8
9	602569	=	M6 x 12
10	602576	=	M8 x 16
11	734981-1	=	4x
12	866693-1	=	2x
13	298963-9	=	2x
14	602594	=	M12 x 30
15	734973-1	=	
16	298963-6	=	2x
17	734988-1	=	
18	602307	=	B6
19	602502	=	M6
20	734993-1	=	2x
21	298963-7	=	2x
22	602573	=	M6 x 35
23	603362	=	
24	734990-1	=	
25	602493	=	M10
26	734991-1	=	
27	735361-1	=	
28	735207-1	=	
29	276903-35	=	
30	325529-1	=	
31	735332-1	=	
32	170191	=	
33	734996-1	734996-2	
34	734962-2	=	
35	869274-1	=	



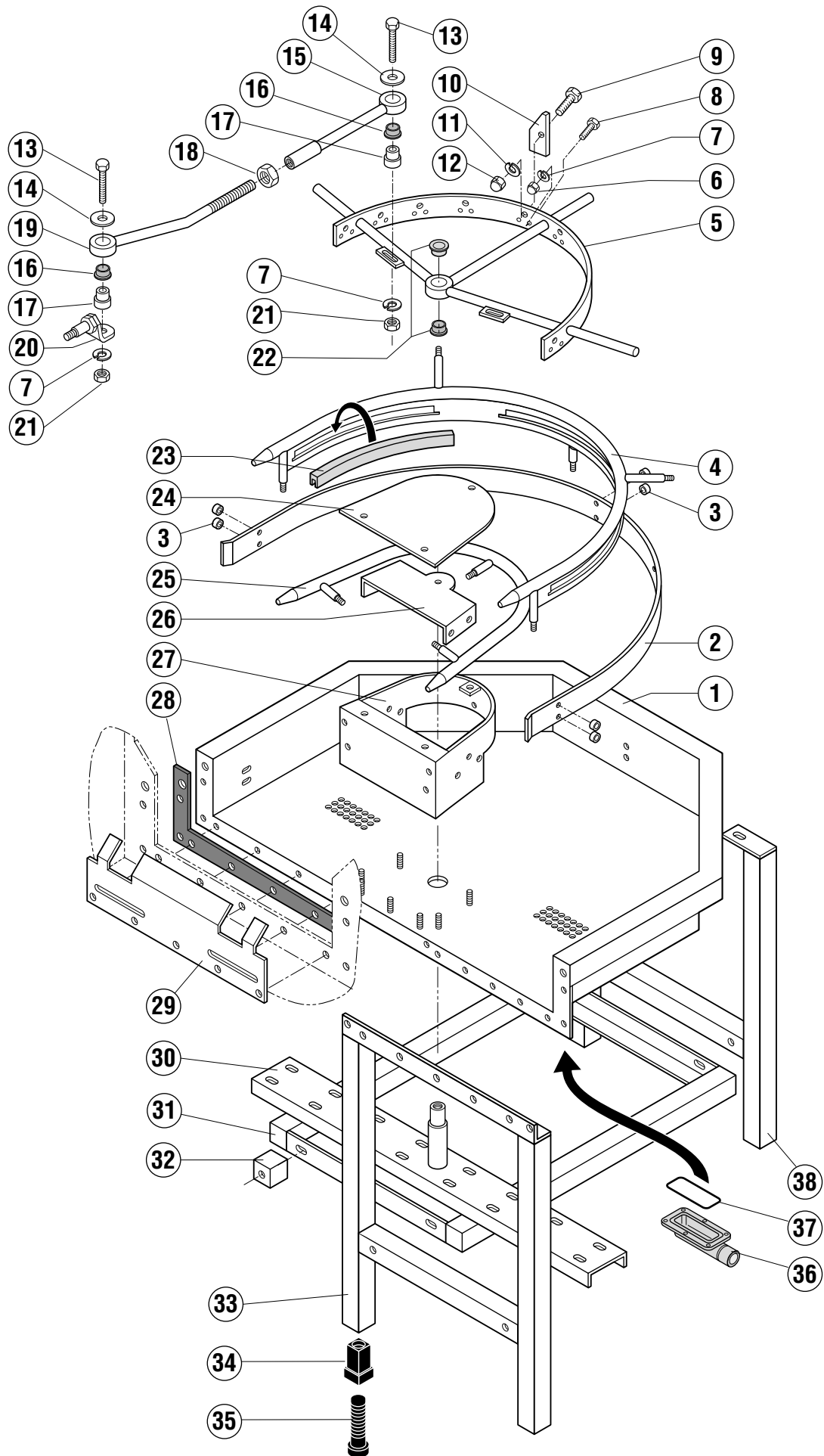
Pos.	L/R G/D	R/L D/G	Specifications / Spécifications / Angaben / Opgaven
1	734975-1	=	
2	734986-1	=	
3	866523-1	=	
4	866524-1	=	
5	602307	=	B6
6	602512	=	M6
7	602305	=	B8
8	602513	=	M8
9	602570	=	M6 x 16
10	602576	=	M8 x 16
11	734981-1	=	4x
12	602594	=	M12 x 30
13	734973-1	=	
14	298963-6	=	2x
15	734988-1	=	
16	602502	=	M6
17	734993-1	=	2x
18	298963-7	=	2x
18	602573	=	M6 x 35
20	603362	=	
21	734990-1	=	
22	602493	=	M10
23	734991-1	=	
24	735361-1	=	
25	869201-1	=	2x
26	735207-1	=	
27	276903-35	=	
28	325529-1	=	
29	735332-1	=	
30	325008-1	=	2x
31	325007-1	=	2x
32	734996-1	734996-2	
33	734962-2	=	
34	869274-1	=	



Pos.	L/R G/D	R/L D/G	Specifications / Spécifications / Angaben / Opgaven
1	735174-1	=	
2	325529-1	=	
3	276903-35	=	
4	735184-1	=	
5	866885-1	=	
6	735187-1	=	6x
7	602950	=	3x
8	735183-1	=	3x
9	735156-2	=	
10	602512	=	
11	602307	=	B6
12	602569	=	M6 x 12
13	602576	=	M8 x 16
14	734981-1	=	
15	602305	=	B8
16	602513	=	M8
17	602573	=	M6 x 35
18	602362	=	
19	735203-1	=	
20	298963-7	=	2x
21	734993-1	=	2x
22	602493	=	M10
23	735202-1	=	
24	735361-1	=	
25	602307	=	B6
26	602502	=	M6
27	866887-1	=	
28	298963-6	=	2x
29	735122-1	=	
30	735188-1	=	
31	735160-1	=	
32	735120-1	=	
33	869274-1	=	
34	735207-1	=	
35	734997-1	=	
36	170191	=	4x
37	735363-1	=	
38	735201-1	=	
39	735121-1	=	
40	378935	=	



Pos.	L/R G/D	R/L D/G	Specifications / Spécifications / Angaben / Opgaven
1	735174-1	=	
2	735119-1	=	
3	735187-1	=	6x
4	735191-1	=	replaced by version Jan. 2000 / remplacé par version Jan. 2000 / ersetzt durch Ausführung Jan. 2000
5	298963-9	=	3x
6	866693-1	=	3x
7	735156-1	=	
8	602512	=	
9	602307	=	B6
10	602569	=	M6 x 12
11	602576	=	M8 x 16
12	734981-1	=	
13	602305	=	B8
14	602513	=	M8
15	602573	=	M6 x 35
16	602362	=	
17	735203-1	=	
18	298963-7	=	2x
19	734993-1	=	2x
20	602493	=	M10
21	735202-1	=	
22	735361-1	=	
23	602307	=	B6
24	602502	=	M6
25	298963-6	=	2x
26	735122-1	=	
27	735188-1	=	
28	735160-1	=	
29	735120-1	=	
30	869274-1	=	
31	735207-1	=	
32	735121-1	=	
33	735201-1	=	
34	735363-1	=	
35	734997-1	=	
36	170191	=	4x
37	325529-1	=	
38	276903-35	=	
39	378935	=	



Pos.	L/R G/D	R/L D/G	Specifications / Spécifications / Angaben / Opgaven
1	735174-1	=	
2	735119-1	= 5	
3	866524-1	=	6x
4	735191-1	=	
5	735156-1	=	
6	602512	=	
7	602307	=	B6
8	602570	=	M6 x 16
9	602576	=	M8 x 16
10	734981-1	=	
11	602305	=	B8
12	602513	=	M8
13	602573	=	M6 x 35
14	602362	=	
15	735203-1	=	
16	298963-7	=	2x
17	734993-1	=	2x
18	602493	=	M10
19	735202-1	=	
20	735361-1	=	
21	602502	=	M6
22	298963-6	=	2x
23	869201-1	=	3x
24	735122-1	=	
25	735188-1	=	
26	735160-1	=	
27	735120-1	=	
28	869274-1	=	
29	735207-1	=	
30	735121-1	=	
31	735201-1	=	
32	735363-1	=	
33	734997-1	=	
34	325008-1	=	4x
35	325007-1	=	4x
36	325529-1	=	
37	276903-35	=	
38	869200-2	=	